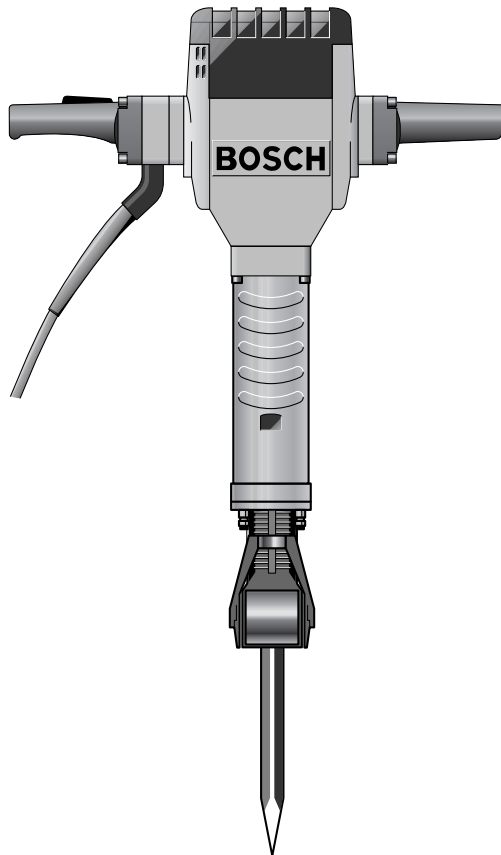


BOSCH

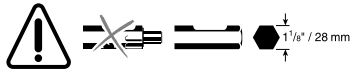
GSH 27



Bedienungsanleitung
Operating Instructions
Instructions d'emploi
Instrucciones de servicio
Manual de instruções
Istruzioni d'uso
Gebruiksaanwijzing
Betjeningsvejledning
Bruksanvisning
Brukerveiledningen
Käyttöohje
Οδηγία χειρισμού
Yönetmelik

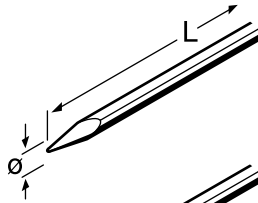
Deutsch
English
Français
Español
Português
Italiano
Nederlands
Dansk
Svenska
Norsk
Suomi
Ελληνικά
Türkçe



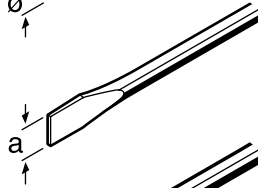


Ø/a
(mm)

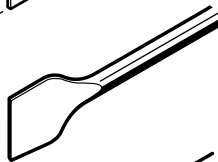
L
(mm)



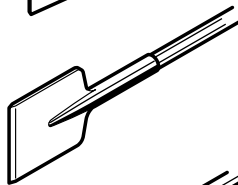
400 1 618 660 000
520 1 618 600 019



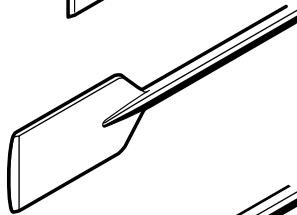
28 520 1 618 600 206



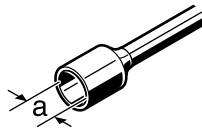
80 400 1 618 661 000



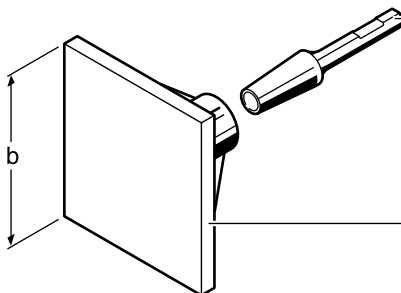
125 500 1 618 601 011



135 400 1 618 662 000



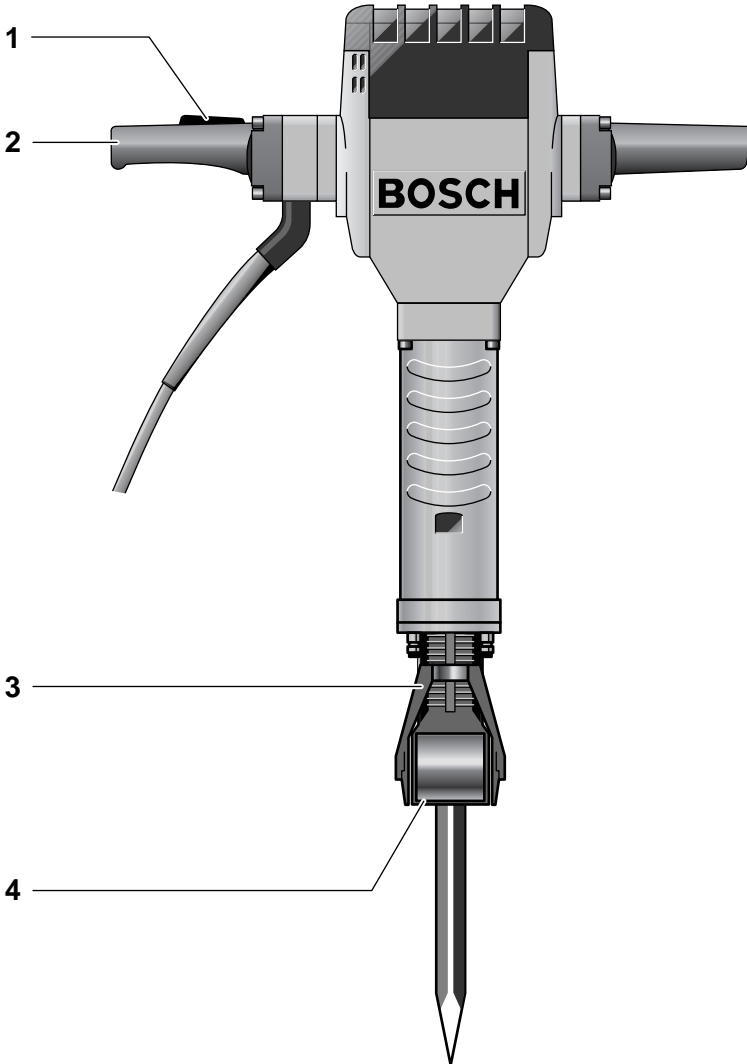
1" 390 1 618 609 005



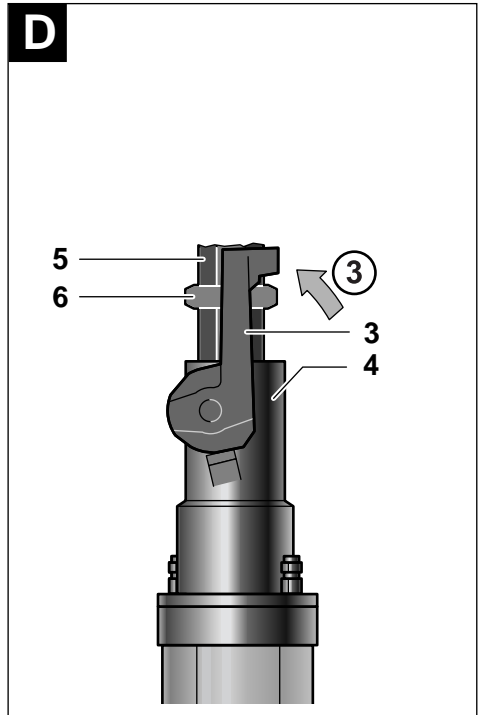
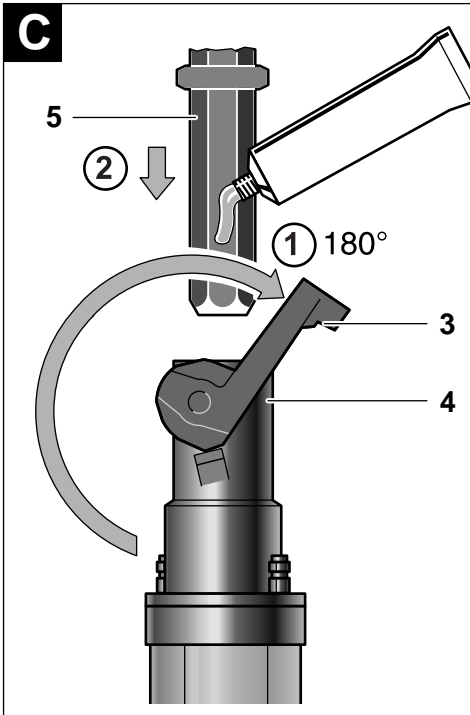
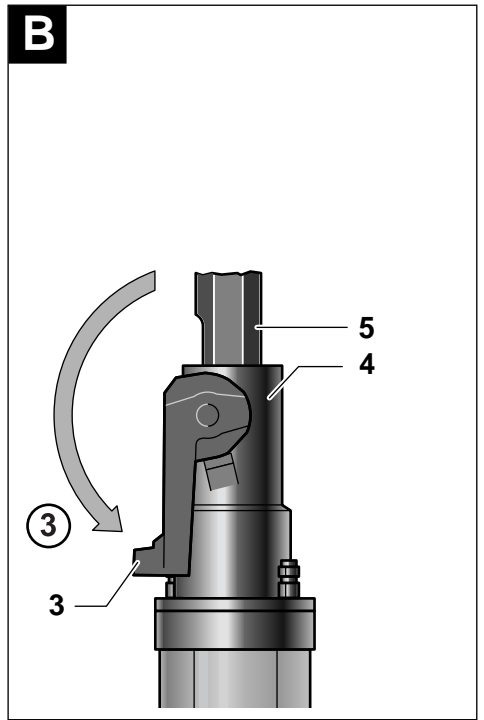
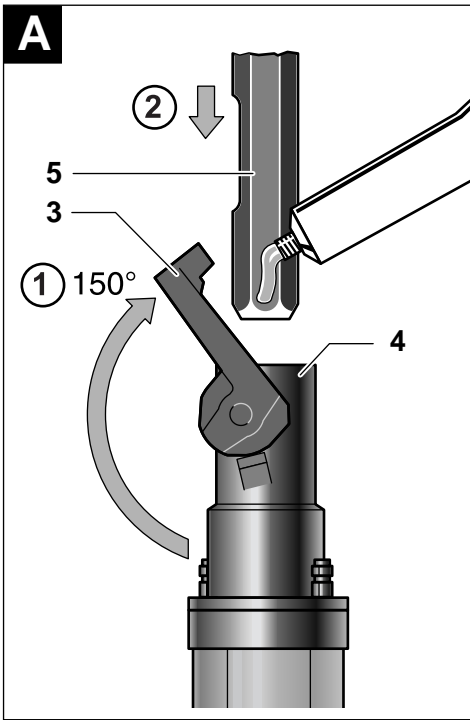
390 1 618 609 006

b
(mm)

150 x 150 1 618 663 104
200 x 200 1 618 631 105



GSH 27



Tool Specifications

Demolition Hammer	GSH 27
Order number	0 611 304 1..
Rated power*	[W] 1 900
Output power*	[W] 1 260
Impact rate under load	[bpm] 1 030
Impact energy	
per stroke	[J] approx. 60
Tool holder	[mm/"] 28 / 1 ¹ / ₈
Weight (without accessories) approx.	[kg] 27
Protection class	□ / II

* The values given are valid for nominal voltages [U] of 230/240 V. For lower voltages and models for specific countries, these values can vary.

Please observe the order number of your machine.

The trade names of the individual machines may vary.

Inrush currents cause short-time voltage drops. Under unfavourable power supply conditions, other equipment may be affected. If the system impedance of the power supply is lower than 0.36 Ohm, disturbances are unlikely to occur.

Noise/Vibration Information

Measured values determined according to 2000/14/EC (1.60 m height, 1 m distance away) and EN 50 144.

Typically the A-weighted noise levels of the product are: sound pressure level: 91 dB (A); sound power level: 104 dB (A).

Wear hearing protection!

The typical weighted acceleration is 13 m/s².

Machine Elements

- 1 On/Off switch
- 2 Handle grips
- 3 Tool retainer
- 4 Tool holder
- 5 Tool shank
- 6 Shoulder

Not all of the accessories illustrated or described are included as standard delivery.

Intended Use

The machine is intended for heavy chiselling and demolition work as well as for driving and compacting with the appropriate accessories.



For Your Safety



Working safely with this machine is possible only when the operating and safety information are read completely and the instructions contained therein are strictly followed. In addition, the general safety notes in the enclosed booklet must be observed. Before using for the first time, ask for a practical demonstration.

- Wear hearing protection.
- Wear a protective helmet.
- Wear safety glasses, protective gloves and sturdy shoes.
- If the mains cable is damaged or cut through while working, do not touch the cable but immediately pull the mains plug. Never use the machine with a damaged cable.
- Connect machines that are used in the open via a residual current device (RCD) with an actuating current of 30 mA maximum. Use only extension cables that are approved for outdoor use.
- **Use appropriate detectors to determine if utility lines are hidden in the work area or call the local utility company for assistance.** Contact with electric lines can lead to fire and electric shock. Damaging a gas line can lead to explosion. Penetrating a water line causes property damage or may cause an electric shock.
- **Hold the power tool only by the insulated gripping surfaces, when performing an operation where the cutting tool may run into hidden wiring or its own cord.** Contact with a "live" wire will make exposed metal parts of the tool "live" and shock the operator.
- Always direct the cable to the rear away from the machine.
- Insert the mains plug only when the machine is switched off.
- When working with the machine, always hold it firmly with both hands and provide for a secure stance.
- Apply the machine to the surface to be worked only when switched off.
- Do not operate the machine without load.
- Always switch the machine off and wait until it has come to a standstill before placing it down.
- Never allow children to use the machine.
- Bosch is only able to ensure perfect operation of the machine if the original accessories intended for it are used.

Changing the Tool

- Before any work on the machine itself, pull the mains plug.

Clean and grease the tool shank.

Tools without shoulder (see figures A+B)

Open the tool retainer 3 approx. 150° (1) and insert the tool (2).

Swing the tool retainer 3 downwards (3) to lock the tool.

Check the locking by pulling on the tool.

Tools with shoulder (see figures C+D)

Tools with an insertion length of 152 mm (6") are suitable.

Open the tool retainer 3 approx. 180° (1) and insert the tool (2).

Swing the tool retainer 3 back until in line with the shank (3), in order to lock the tool.

☞ The shoulder 6 must be held by the tool retainer 3.

Check the locking by pulling on the tool.

Initial Operation

Observe correct mains voltage: The voltage of the power source must agree with the voltage specified on the nameplate of the machine. Equipment marked with 230 V can also be connected to 220 V.

Switching On and Off

To **start** the machine, push the On/Off switch 1 and keep it pushed.

To **switch off** the machine, release the On/Off switch 1.

☞ At low temperatures, the machine reaches full impact rate only after a certain time. This start-up time can be shortened by striking the chisel against the floor once.

Operating Instructions

For the highest possible impact damping, work only with moderate pressure.

Sharpening Chisels

Good results are only achieved with sharp chisels, therefore sharpen the chiselling tools regularly. This prolongs the service life of the tools and ensures good working performance.

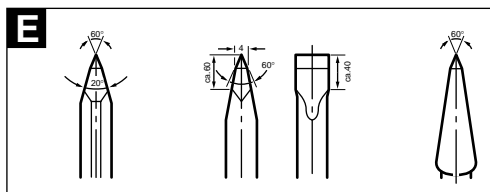
Forging and hardening

Forging: Heat the chisel to between 850 and 1050 °C (bright red to yellow) and forge.

Hardening: Heat the chisel to 900 °C (bright red) and quench in oil, then anneal in an oven for approx. one hour at 320 °C (annealing colour = light blue).

Re-sharpening the chiselling tools

Sharpen chiselling tools using grinding wheels (e. g., ceramic bonded corundum wheel) with a steady supply of water. Recommended values for this purpose are contained in figure E. Take care that no annealing coloration appears on the cutting edges, otherwise the hardness of the chiselling tools will be impaired.



Maintenance and Cleaning

- Before any work on the machine itself, pull the mains plug.

☞ For safe and proper working, always keep the machine and the ventilation slots clean.

- Keep the tool holder clean at all times.

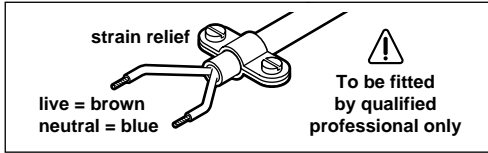
When the carbon brushes are worn out, the machine switches itself off. The machine must be sent to customer service for maintenance (for address, see the "Service and Customer Assistance" section).

If the machine should fail despite the care taken in manufacturing and testing procedures, repair should be carried out by an after-sales service centre for Bosch power tools.

In all correspondence and spare parts orders, please always include the 10-digit order number given on the nameplate of the machine.

WARNING! Important instructions for connecting a new 3-pin plug to the 2-wire cable.

The wires in the cable are coloured according to the following code:



Do **not** connect the blue or brown wire to the earth terminal of the plug.

Important: If for any reason the moulded plug is removed from the cable of this machine it must be disposed of safely.

Ireland

Beaver Distribution Ltd.
Greenhills Road
IRL-Tallaght-Dublin 24

☎ Service..... +353 (0)1 / 414 9400
Fax..... +353 (0)1 / 459 8030

Australia

Robert Bosch Australia L.t.d.
RBAU/SPT2
1555 Centre Road
P.O. Box 66 Clayton
AUS-3168 Clayton/Victoria

☎ +61 (0)1 / 800 804 777
Fax..... +61 (0)1 / 800 819 520
www.bosch.com.au
E-Mail: CustomerSupportSPT@au.bosch.com

New Zealand

Robert Bosch Limited
14-16 Constellation Drive
Mairangi Bay
Auckland
New Zealand

☎ +64 (0)9 / 47 86 158
Fax..... +64 (0)9 / 47 82 914

CE Declaration of Conformity

We declare under our sole responsibility that this product is in conformity with the following standards or standardization documents: EN 50 144 according to the provisions of the directives 89/336/EEC, 98/37/EC, 2000/14/EC.

2000/14/EC: The guaranteed sound power level L_{WA} is lower than 110 dB (A). Conformity assessment procedure according to Annex VI.

Notified body:
TÜV Hannover/Sachsen-Anhalt e.V.,
D-30519 Hannover CE-DE10-139 670

Leinfelden, 01.03.2002.

Dr. Gerhard Felten Dr. Eckerhard Strötgen

ppa. Felsen i.v. Mölzen

Robert Bosch GmbH, Geschäftsbereich Elektrowerkzeuge

Subject to change without notice

Environmental Protection



Recycle raw materials instead of disposing as waste.

The machine, accessories and packaging should be sorted for environmental-friendly recycling.

These instructions are printed on recycled paper manufactured without chlorine.

The plastic components are labelled for categorized recycling.

Service and Customer Assistance

Great Britain

Robert Bosch Ltd. (B.S.C.)
P.O. Box 98
Broadwater Park
North Orbital Road
Denham-Uxbridge
GB-Middlesex UB 9 5HJ

☎ Service..... +44 (0) 18 95 / 83 87 82
☎ Advice line..... +44 (0) 18 95 / 83 87 91
Fax..... +44 (0) 18 95 / 83 87 89