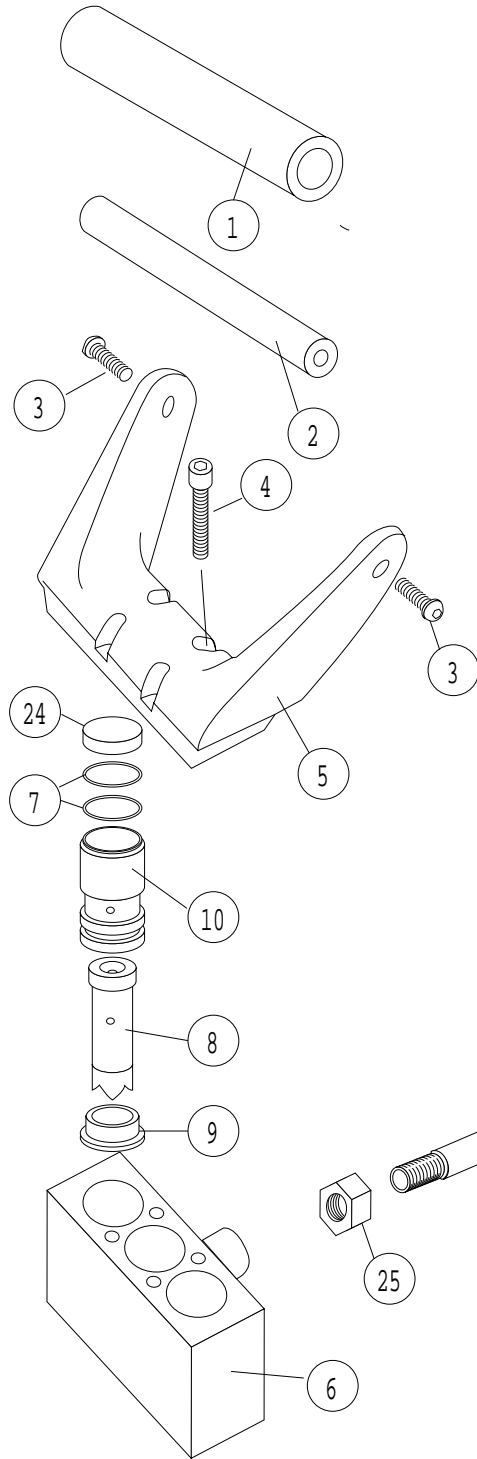


**Notes:**

The Macdonald HSV3 Hand Held scabbler has Many parts that are common to other tools in the range, namely the MSG/P3 triple head and the S1 single head, hand scabblers. All three types of tool have identical handle assemblies except for the S1 which has the addition of a rubber sleeve type hand grip. The HSV3 and S1 tools use the same type of piston assemblies except for one or two small components.



# Macdonald

GENUINE SPARE PARTS

## HSV3- Hand Held Scabbler

ILL.	Part	Description of Part	Per Tool
R	1	122008 Rubber Grip	1
R	2	122065 Handle Crossbar	1
R	3	122064 Capscrew	2
R	4	173004 Capscrew	4
O	5	122999 Handle Bracket	5
O	6	122870 Cylinder Block	1
R	7	113006 Liner Seal	6
O	8	112023 Liner	3
R	9	112024 Headed Bush	3
R	10	112013 Piston	3
R	11	112012 Locknut	1
O	12	110013 Extension Tube	1
O	13	173007 Snap Handle Body	1
R	14	174012 Spring	1
R	15	174010 Throttle Valve Cap	1
R	16	219118 Seal	1
R	17	908099 Universal Coupling	1
R	18	908001 Universal Coupling Gasket	1
R	19	908002 Universal Coupling Gauze	1
R	20	003025 Pivot Pin	1
O	21	174009 Throttle Valve	1
R	22	174011 Seal	2
O	23	110011 Throttle Lever	1
O	24	122066 Top Cap	3
O	25	165004 Locknut	1

R = Recommended Spares (ie stock) O = Occasional Spares ( order as required )

## MAINTENANCE AND REPAIR

Attention to a few fundamental points will prolong the life of the tool, keep it in service and ensure maximum working efficiency. Ensure that the operator reads and understands what he is required to do to comply with these points prior to using the tool. Ensure also that he carries out his part of the instructions.

1. Ensure the machine is disconnected from air supply before doing any work on it.
2. Ensure the machine is held firmly in a vice or fixture for dismantling.
3. Correct tools for dismantling and assembling must be used.
4. When using a solvent or cleaner, follow the manufacturer's instructions.
5. Before clearing the machine for use, ensure that all the connections and joints are tight, looseness causes air losses, vibration and general inefficiency.
6. Always blow out the hose before connecting to the tool to prevent dirt or other foreign matters being carried into the working parts of the tool.

### Lubrication

All pneumatic tools require regular and adequate lubrication to prevent excessive wear and ensure efficient operation. Particular attention should be paid to lubrication during the initial running in period of a new tool.

The tool works at top speed and full power right from the start, so lack of lubrication during this period, before the tool is loosened, can lead to excessive wear on all working parts.

Where an oil reservoir is incorporated in the tool it should be filled daily.

Before starting work each day, pour a small quantity of the correct grade of oil into the air inlet and blow out the hose to ensure no dirt or moisture is lying in the hose. Couple the hose to the tool and give the tool a short burst. Care must be taken not to over-oil the tool to avoid excess oil blowing from the tool and damaging the working surface.

Only clean oil of the correct grade, as stated, should be used for lubrication. A heavy or dirty oil is useless as it will only serve to "gum up" the tool.

### Recommended Oil :

The following oils are recommended for use with Macdonald Tools and these or their equivalents should be used in normal conditions. For abnormal conditions e.g. extreme heat, consult the oil company.

SHELL	Clavus 25
BP	Energol LPT 80
ESSO	Zerice 46
MOBIL	Almo 525

### Air Supply

Always ensure that an adequate supply of compressed air at a pressure of 6 bar (90 p.s.i.g.) minimum is available to the tool. Reduced air pressure will affect the performance of the tool adversely.

Use the shortest length of hose possible between the compressor and the tool to avoid undue pressure drop through the hose.

### General

The tools require adequate flows of compressed air at around 6 bar pressure for efficient operation. Always blow out the hose carefully before coupling to the tool in case dirt or foreign matter is carried into the tool in the air stream.

If the tool sticks completely, the most likely cause is dirt or improper or insufficient lubrication. If this happens the tool should be dismantled by a competent engineer, the parts should be thoroughly cleaned in a suitable solvent, lightly oiled and re-assembled. Keep the tool tight, do not allow any fasteners or connections to become loose because this can lead to air losses, vibration, excessive wear and inefficiency.

Always use sharp moils and chisels or spades because dull cutting edges cause the tool to absorb the blow instead of cutting through the workpiece. This results in operator fatigue, chisel breakages and poor productivity.

## SAFETY AND OPERATING INSTRUCTIONS (General)

1. Never exceed the maximum air pressure recommended for the machine, usually this is 7.5 bar (110 p.s.i.g.) for hand held machines.
2. Do not use damaged, frayed or deteriorated hoses and fittings. Always store hoses properly after use away from heat sources or sunlight. A hose failure can cause injury.
3. When blowing out a hose or air line, ensure the open end is held securely, a free end will whip and can cause injury. Open the supply air cock carefully and ensure that any particles are ejected safely. A blocked air hose can become a compressed air gun.
4. Close the air cock at the compressor or the supply line and release the line pressure before disconnecting the hose. The air cock should be within easy reach of the work area.
5. Personal protection such as safety glasses, gloves and safety footwear should be worn by the operator and other personnel where work operation or regulations require their use. Ear defenders should be worn.
6. Depending on the material being worked on, precautions may be required against the generated dust.

### USE OF THE MACHINE

1. Use only approved inserted tools.
2. Worn Inserted Tools can promote breakage, reduce work rate and increase vibration. An Inserted tool which breaks can cause injury.
3. Do not use frozen tools. In freezing conditions, store tools undercover, preferably in a warm building, Freezing conditions can make hardened steels brittle and cause breakage.
4. A proper working position should be adopted to ensure stability in the event of a breakage of an Inserted tool.
5. Always turn off compressed air supply and release the air pressure in the hose before changing the Inserted Tool or before disconnecting the hose.
6. Always present the tool as squarely as possible to the working surface to minimise the effects of side loading on the Inserted tool.
7. Do not use in circumstances where the tool may strike a live but possibly concealed electric cable.
8. If the compressed air supply stops during operation of the machine the throttle lever should be released immediately.
9. Never hold onto the Inserted tool, use the bottom sleeve or silencer.

### Warning

**NEVER ATTEMPT TO CHANGE A CHISEL, MOIL, ASPHALT CUTTER OR OTHER ACCESSORY ON A PNEUMATIC TOOL UNLESS THE TOOL HAS BEEN COMPLETELY DISCONNECTED FROM THE AIR SUPPLY.**

**THE CYLINDER OF THIS TOOL IS HARDENED AND SHOULD NOT BE WELDED UNDER ANY CIRCUMSTANCES. WELDING CAN CAUSE LOCAL SOFTENING.**