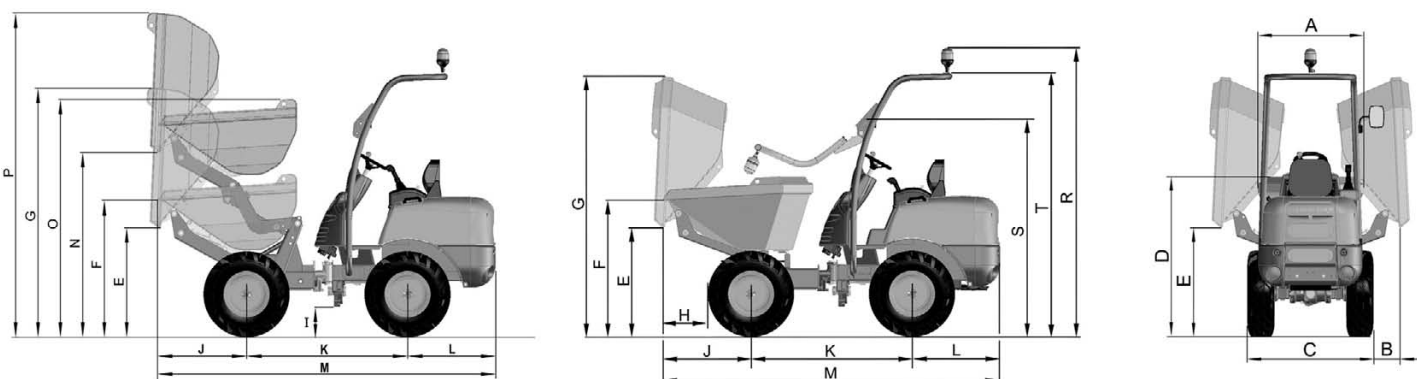


DIMENSIONS (mm)
D 100 AHA
D 100 AHA_1000 Kg

A	990
B	-
C	1215
D	1440
E	935
F	1230
G	2235
H	485
I	220
J	822
K	1500
L	820
M	3142
N	1635
O	2135
P	2935
R	2605
S	1955
T	2375


TECHNICAL SPECIFICATIONS

		D 85 AHA / D 100 AHA / D 120 AHA		
Load capacity (Kg)		850 / 1000 / 1200		850 / 1200
Unloading system		Hydraulic tipping.		Hydraulic, 180° rotating.
Chassis		Articulated +/- 35° and oscillating +/- 13°.		
Hopper capacities (l)				
	Water	345 / 345 / 425		325 / 415
	Levelled	395 / 395 / 515		390 / 495
	Heaped	505 / 505 / 680		510 / 670
Engine		Kubota D1105		Kubota D1105
	Diesel	Kubota D1105		Kubota D1105
	Power acc./DIN 70020 (KW/HP)	18,9 / 25,3		18,9 / 25,3
	N° of Cylinders	3		3
	Cooling system	Water		Water
Traction		4 x 4 permanent		
Transmission		Hydrostatic with variable flow pump and automatic regulation. Forward and reverse control on the joystick.		
Engine starting system		Electric		
Speed (max.) (Km/h)		14 / 15 / 17		14 / 17
Axles		Axles with planetary wheel reduction		
Unladen weight (Kg)		1300 / 1300 / 1375		1300 / 1375
Gradient negotiable (with full load)		43% / 38% / 48%		43% / 48%
Hydraulic circuit		Gear pump of 8 cc. Working pressure 170 bar.		Gear pump of 8 cc. Working pressure 170 bar.
Tyres		7.00-12" / 11.0/65-12 / 10.0/75-15.3"		7.00-12" / 10.0/75-15.3"
	Standard	7.00-12" / 11.0/65-12 / 10.0/75-15.3"		10.0/75-15.3"
	Optional (D100AHA-AHG)	- / 27x8.50-15" / -		-
External turning circle (mm)		3060		3060
Steering		Hydraulic		
Tank capacity (l)				
	Fuel	23		23
	Hydraulic fluid	21.2		21.2
Service and parking brake		Sealed oil-immersed, multidisc, mechanically operated		

STANDARD EQUIPMENT

Anti vandal system
Ergonomic seat
Seat belt
Joystick
ROPS
Rotating beacon
Rear view mirror

OPTIONAL EQUIPMENT

FOPS overhead guard
Audible reverse warning (Std. UK)